

ITR661-001 - Indoor Intercom Panel with Android OS



Device	ITR661-001
Power Supply	12V, PoE
Power Consumption	3W (Standby Power) 10W (Rated Power)
Display Screen	7" TFT LCD Screen , 1024x600
Communication	TCP/IP, SIP, VOIP, RTSP
Communication (optional)	Wi-Fi / Bluetooth Communication
CPU	1.5 GHz
Interface	RS485, siren x1 , alarm zone x8
Memory	1 GB SD Ram 4 GB Flash 32 GB Micro SD Card
Buttons	5 Buttons : Answer, Reject, Call, Camera Monitor, Unlock
Operating System	Android 4.4.2
Type of Protection	IP 30
Temperature Range	Operation (-5°C...55°C) Storage (-10°C...70°C)
Maximum Air Humidity	< 90 RH
Material	Acrylic Panel + ABS Casing
Colour	Black
Flammability	Non-flammable product
Dimensions	220x166.5x21.5 mm (WxHxD)
Configuration	via Webpage of Indoor Monitor

DESCRIPTION

ITR661-001 is a Indoor Panel Unit with Android OS panel that mainly used for make interacting between the related outdoor intercom unit. It can be connected to Interra outdoor intercom devices for audio, video communication also unlocking and monitoring features. With these functions residents can enjoy crystal clear audio communication, can check the call records and unlock the door remotely. Besides, the ITR661-001 indoor panel supports 8 different alarm zones with three different scenario setup. Black housing is quite proper to align with the interior design of the home.

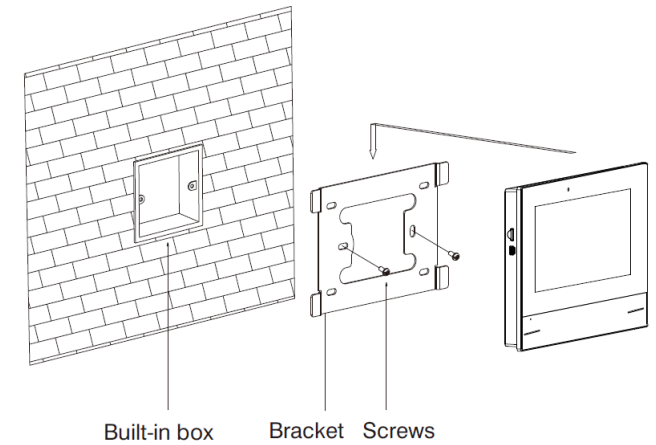
In addition, the ITR661-001 delivers the ultimate touch screen experience in a space saving design featuring an amazing 7" with capacitive touch feature. It complies with SIP, VOIP standard for easy integration in every SIP, VOIP capable devices.

FUNCTIONS

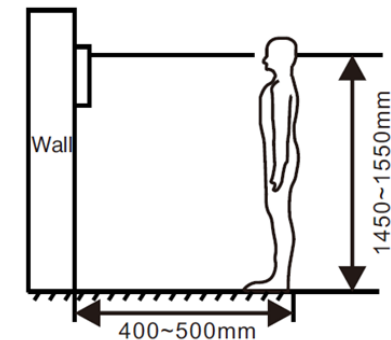
ITR661-001 is a Indoor Panel Unit with Android OS panel that mainly used for make interacting between the related outdoor intercom unit. ITR661-001 product features are described below :

- **VOIP:** Support video call, camera monitor, unlock, VOIP communication and check the call records.
- **Security:** It supports 8 different regions with 3 different scenarios.
- **Operating system:** Android 4.4.2
- **Automation Controls :** Automation system can be controlled with Icontrol.
- Monitoring the outdoor intercom unit camera and user interface customization.
- Monitoring up to 10 cameras via RTSP with Icontrol.
- Support Android systems applications.

INSTALLATION



The following figure, shows a proper location of the installation :



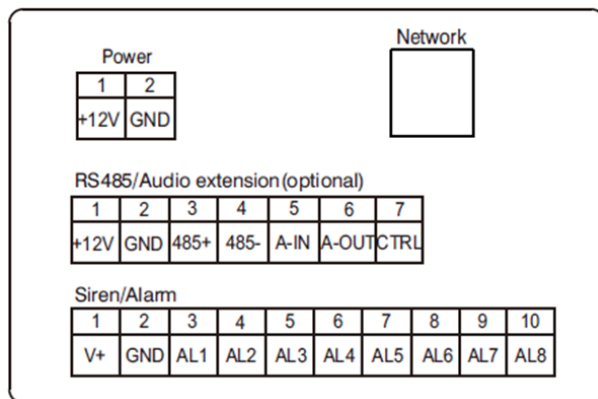
During the installation, the camera should be 1450-1550mm above the ground. The camera tether for photographing human face should be the top priority.

CONNECTION DIAGRAM & FEATURES

The following subtitles describe the related connection parts of the ITR661-001 indoor touch panel : System Diagram, Power, Siren/Alarm, RS-485/Audio Extension, Network.

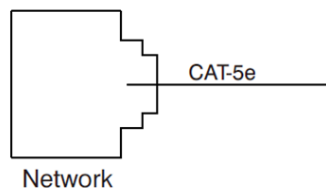
System Diagram:

The following figures shows the connectors of the ITR661-001.



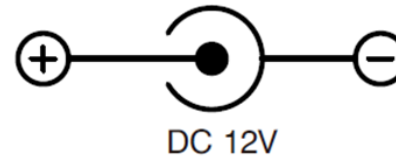
Network:

Connect with outdoor panel, indoor monitor or other network equipment by network switch. When indoor monitor has PoE function, the interface can supply power by connecting with PoE network switch. If network interface has 12V power supply, pin No. 4 and 5 of RJ45 interface should connect with +12 of power interface, and pin No. 7 and 8 should connect with GND of power interface.



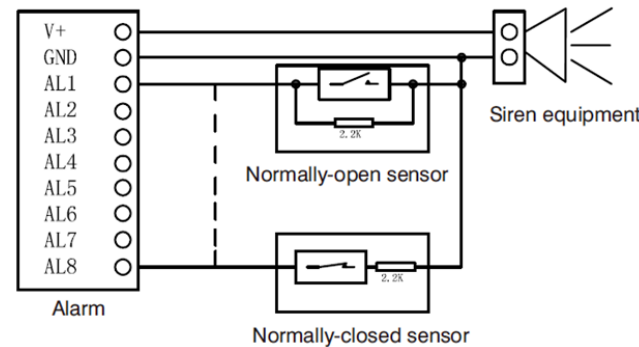
Power:

Power input interface connects with 12V power adapter. The following figure shows the connection diagram.



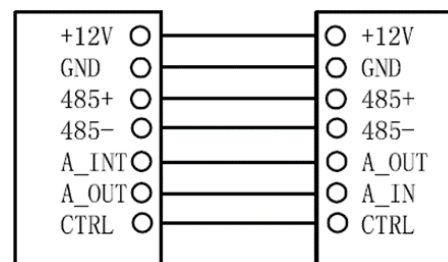
Siren/Alarm:

When alarm sensor is triggered, the output power is 12V / 100mA. Each interface of alarm zone can be connected with normally-open or normally-closed switch.



RS-485/Audio Extension:

Connect with outdoor panel, management center, indoor monitor or other network equipment by network switch. Supply power by PoE network switch if it is with PoE function.



TROUBLESHOOTING

Some common failures and troubleshooting methods are listed for your reference. In case of failure which cannot be repaired, do not disassemble or repair the product by yourself. Please contact the after-sales technical service department.

- The indoor monitor cannot start up or power off automatically.**
 - Check whether it has power failure, and power it on again.
- The indoor monitor display screen is too dim.**
 - Check whether the brightness and contrast settings of screen are correct.
- No sounding during the communication**
 - Check whether the indoor monitor is set as mute mode, or the volume is set to the lowest value.
- The indoor monitor cannot monitor the outdoor panel**
 - Other user is using the system, so you can use it once he finished the operation.
- Multimedia files cannot be played normally.**
 - Check whether the system supports the file format. Please refer to multimedia setting for details.
- No response when clicking indoor monitor display screen**
 - Press "Unlock" button for 5s, or slowly slide horizontally or vertically on the LCD to make touchscreen calibration. It need to be calibrated twice.
- Touchscreen responses slowly or cannot make calibration**
 - Ensure the finger is dry and clean when clicking touch screen
 - Restart the device to clear any temporary software error.